

JDZW5-36 VOLTAGE TRANSFORMER

□ 36kV Outdoor Single-Phase Epoxy Resin Type



* Net weight:68.5kg(2pcs)
* Package:2pcs/Plywood=870 × 770 × 840mm

Voltage transformer with fully enclosed cast insulation structure, the primary and secondary windings and toroidal cores are all encapsulated in epoxy casting body for large creepage distance and improving resistance to contamination and moisture performance. It is used outdoor for measuring voltage, electric energy and protective relaying in single-phase or three-phase AC circuit with the frequency 50Hz or 60Hz and highest voltage for equipment 36kV.

Technical Data

- | | |
|-------------------------------------|------------------------------|
| 1、 Installation site: | Outdoor |
| 2、 Rated frequency: | 50/60Hz |
| 3、 Load power factor: | cosΦ=0.8 (lagging) |
| 4、 Technical standard accords with: | IEC 60044-2
IEC 61869-1&3 |

Specification

Item	Specification	Unit	Data
1	Um	kV	36
2	Rated Insulation Level	kV	36/70/170
3	Rated Primary Voltage	V	33000
4	Rated Secondary Voltage	V	110 or 220

Rated Primary Voltage (kV)	Rated Secondary Voltage (kV)	Accuracy Classes combination	Rated output (VA)	Thermal Limiting Output (VA)	Rated Insulation Level (kV)
33	0.11	0.2	30	300	36/70/170
		0.5	50		
		1	100		
	0.11/0.11	0.2/0.2	15/15	300	
		0.2/0.5	15/20		
		0.5/0.5	25/25		
	0.22 0.24	3	300	800	
		5M	600		

Note: Other specifications can be designed as customized.

Outline Drawing: unit/mm

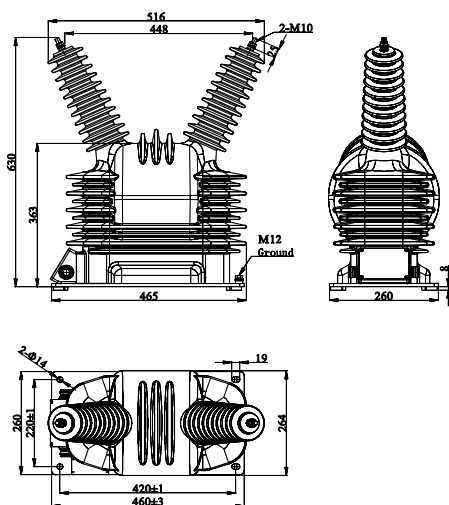


Fig. 1 Outline Drawing

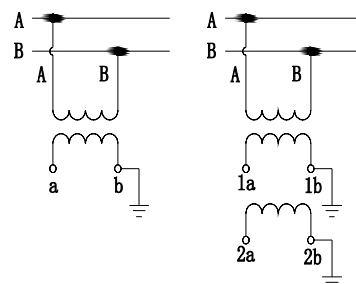


Fig. 2 Wiring